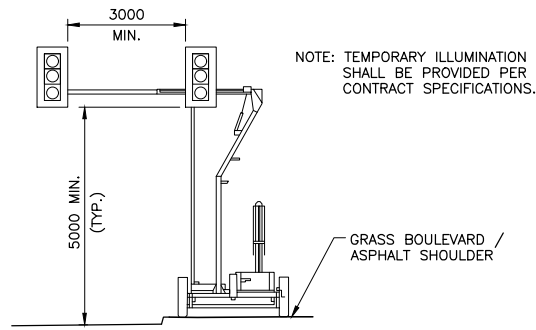


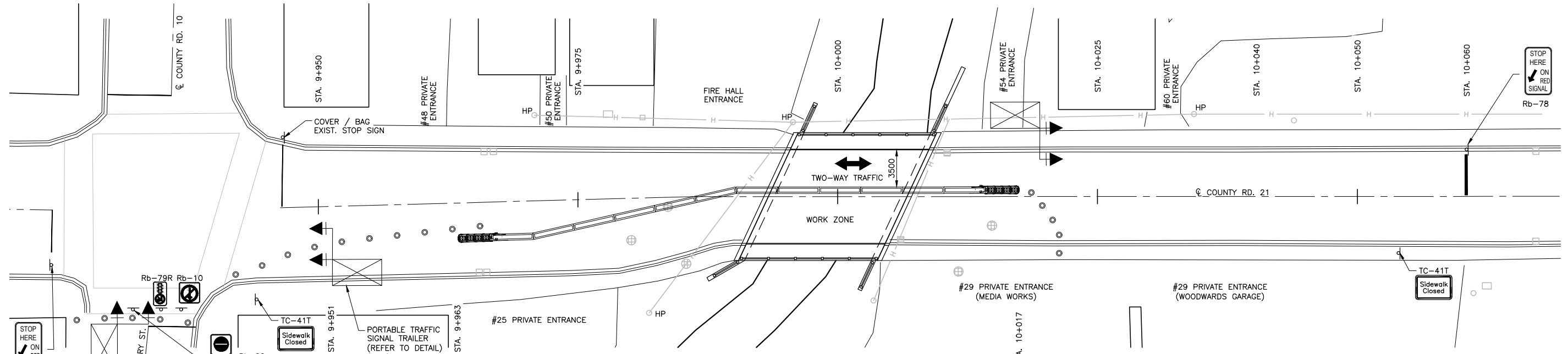
FILE NAME: Y:\9200 - 929\9285 - Peterborough - Various Bridges\02 Drawings\Current Drawings\Firehall\9285 - Firehall Bridge.dwg
 CREATED: 2022-02-02
 MODIFIED: 2022-02-02 16:05
 ARCH-D 2016-05
 MINISTRY OF TRANSPORTATION, ONTARIO



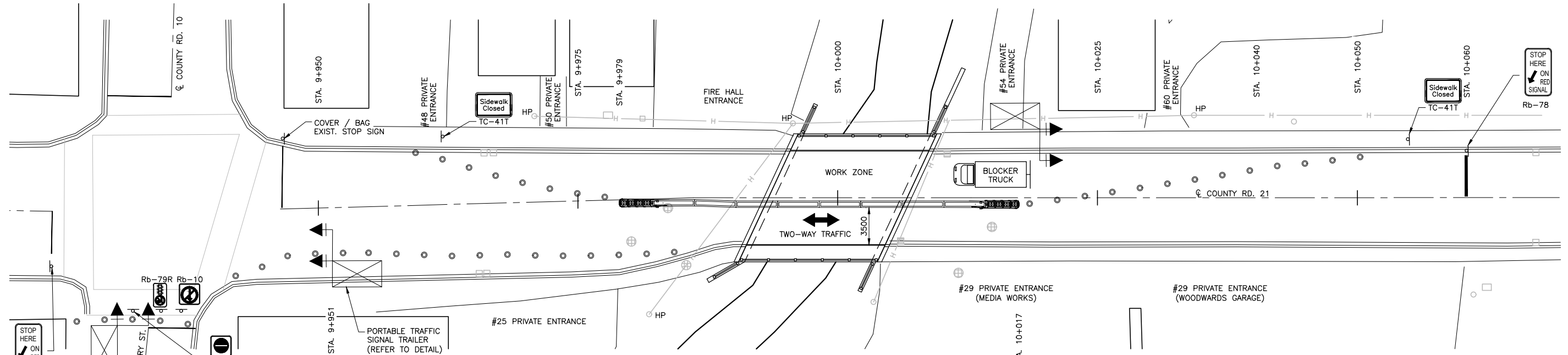
METRIC
 DIMENSIONS ARE IN METRES AND/OR
 MILLIMETRES UNLESS OTHERWISE SHOWN
 DRAWING NOT TO BE SCALED
 100mm ON ORIGINAL DRAWING

PETERBOROUGH COUNTY		 SHEET 02
FIREHALL BRIDGE REHABILITATION TRAFFIC STAGING		
 WILLS <small>D.M. Wills Associates Limited 150 Jamieson Drive Peterborough, Ontario Canada, K9J 0B9 P. 705.742.2297 F. 705.748.9944 E. wills@dmwills.com</small>		

TEMPORARY PORTABLE SIGNAL DETAIL



PLAN - STAGE 1
SCALE 1:200



PLAN - STAGE 2
SCALE 1:200

REVISIONS	DATE	BY	DESCRIPTION

DESIGN	T.S.	CHK	D.B.	CODE	S6-19	LOAD CL-625-ONT	DATE	FEB. 2022
DRAWN	T.S.	CHK	D.B.	SITE	B021001		DWG	R1-2